

Product: **KLUDI BALANCE single lever shower mixer DN 15**

Ref.: **52710..75**

Product description

single lever shower mixer DN 15
 solid lever
 wall fastening
 flow class B
 ceramic cartridge with hot water safety device
 shower outlet G 1/2 inch
 protected against back flow
 S unions 1/2 x 3/4 inch
 without shower set

Finishes:
 05 chrome
 91 chrome/white

Product picture

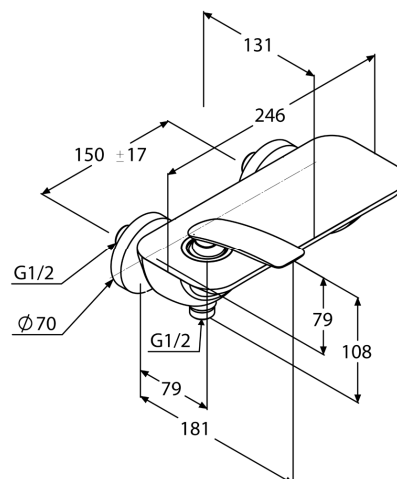


Advertisement

- * KLUDI GmbH & Co KG KLUDI BALANCE single lever shower mixer item no. 52710..75
- ** ceramic cartridge with hot water safety device \varnothing 35 mm, DIN EN 817
- *** chrome plated brass, DIN 50930-6

single lever shower mixer, manufacturer KLUDI GmbH & Co KG KLUDI BALANCE single lever shower mixer item no. 52710..75, DN 15, finishes 05 = chrome plated / 91 = chrome/white plated brass, ceramic cartridge with hot water safety device \varnothing 35 mm, solid lever, type: single lever shower mixer DN 15, shower outlet 1/2 inch, protected against back flow DIN EN 1717, S unions 1/2 x 3/4 inch, projection 131/181 mm, lever projection 102 mm, flow class B (max. 0,29 l/s), for pressure type water heater, for continuous line heater, PN 10,

Dimensional drawing



Flow rate diagram

