

Product: KLUDI ZENTA single lever basin mixer with raised base for use with counter-top basin DN 10

Ref.: 382560575

Product description

single lever basin mixer DN 10
 with raised base for use with counter-top basin
 solid lever
 single hole mounted
 PCA aerator M 24 x 1
 flow rate 6 l/min. at 3 bar
 ceramic cartridge with hot water safety device
 without pop up waste
 rapid installation set
 flexible high pressure supply tubes G 3/8
 noise level I

Finishes:
 05 chrome

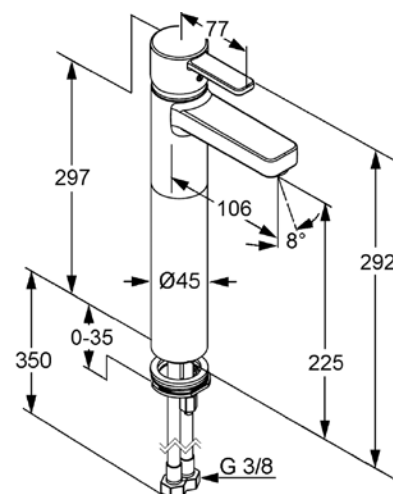
Advertisement

single lever basin mixer, manufacturer KLUDI GmbH & Co KG KLUDI ZENTA single lever basin mixer with raised base for use with counter-top basin item no. 382560575, DN 10, chrome plated brass, ceramic cartridge with hot water safety device Ø 35 mm, solid lever, noise level DIN EN 4109 group I, report no., type: single lever basin mixer DN 10, flow rate 6 l/min. at 3 bar, PCA aerator M 24 X 1, flexible high pressure supply tubes 3/8 inch with DVGW / KIWA / WRAS / CSTB with metal body length 350 mm, nozzle projection 106 mm, nozzle height 225 mm, lever projection 77 mm, rapid installation set, overall length 297/292 mm, for pressure type water heater, for continuous line heater, PN 10,

Product picture



Dimensional drawing



Flow rate diagram

