



KARTELL LAUFEN

Set for concealed single lever bath mixer, with diverter, PVD titanium black matt

DIMENSIONS

Length	1 mm
Width	1 mm
Height	1 mm

Acoustic level (dB) : Group 1 (Up to 20 dB)

Application : Bath

Cartridge features : Flow brake, Temperature brake

Check valve

Diverter : Automatic

Faucet type : Single-lever

Finish : Titanium Black

Flow rate (l/min - 3 bar) : 20.6

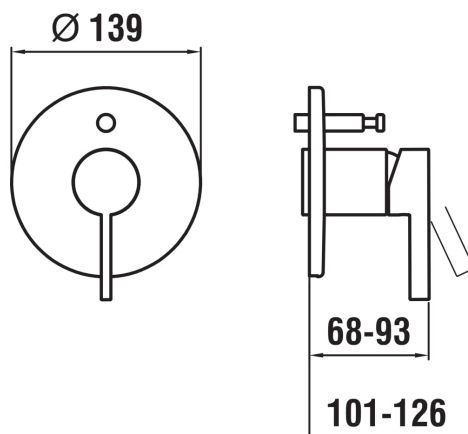
Handle position : Lateral

Installation type : Built-in

Net weight (kg) : 1.05

Type of cartridge : Ceramic Disc

TECHNICAL DRAWINGS

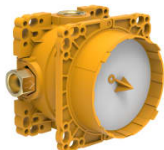


COMPATIBLE WITH



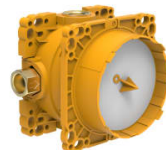
Concealed installation unit,  
recess depth of at least  
102 mm, with stop valves,  
supply and outlet pipes  
reversible

**HF574007000000**



Concealed installation unit  
'light', reduced recess  
depth of at least 74 mm,  
with stop valves

**HF574037000000**



Concealed installation unit  
'light', reduced recess  
depth of at least 74 mm,  
without stop valves

**HF574038000000**

## Kartell LAUFEN

A place for divas. And deep dives. This is the story about a place of unknown beauty. Designed for humans, shaped by the elements. Far away from your everyday life. But every morning you will ask yourself: Have I been here before? Or is this just a dream?

