



NEJA

Washbasin mixer, spout 120 mm, with pop-up waste

Acoustic level (dB) : Group 1 (Up to 20 dB)

Aerator type : Honeycomb PCA

Application : Basin

Faucet type : Single-lever

Faucet type : Single-lever

Finish : Chrome

Fixed spout

Flow rate (l/min - 3 bar) : 5.7

Handle position : Top

Installation type : Deck-mounted

Net weight (kg) : 1.54

Pop-up waste

Spout length (mm) : 120

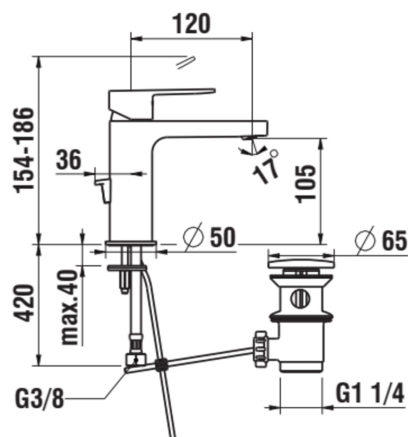
Spout position : Central

Type of cartridge : Ceramic headwork

Waste type : Pop-up waste

Water connection diameter : 3/8"

TECHNICAL DRAWINGS



NEJA

NEJA stands for clear, straight lines that nevertheless contrast with its natural curves. A perfectly formed design language for every taste, compatible with very different bathroom styles.

