

THE NEW CLASSIC

Bidet mixer, projection 110 mm, fixed spout, with pop-up waste



Acoustic level (dB) : Group 1 (Up to 20 dB)

Aerator type : Slim air

Application : Bidet

Faucet type : Single-lever

Finish : Chrome

Fixed spout

Flexible supply hoses included

Flow rate (l/min - 3 bar) : 5.7

Handle position : Top

Installation type : Deck-mounted

Pop-up waste

Spout length (mm) : 110

Spout position : Central

Standards and approvals : A

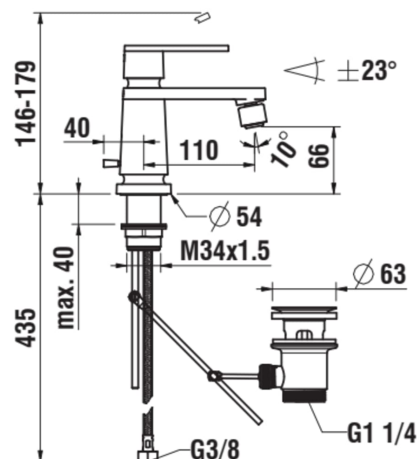
Type of cartridge : Ceramic Disc

Water and energy-saving

Water and energy-saving CLICK® (Eco Disc)

Water connection diameter : 3/8"

TECHNICAL DRAWINGS



THE NEW CLASSIC

A collection of perfectly shaped innovations for the bathroom. The New Classic radiates the practicality of the harmonious form and combines it with contemporary style.

