

# SET LUA

## Washbasin

### 81108.3



#### TECHNICAL DATA

Order no.	81108.3
Certified to	EN 31
Dimensions	600 x 460 mm
Inside dimensions of the basin	545 x 325 mm
Specification	Charge 104 – 1 centre tap hole
Special specification	Charge 109 – without tap holes Charge 136 – 3 tap holes, distance 8 inches Charge 142 – without tap hole, without overflow and without open drain Charge 156 – 1 centre tap hole, without overflow and without open drain
Weight	14,1 kg
Accessories excl.	Siphon cover, order no. 81995.1 Pedestal, order no. 81995.0

Mounting acc. excl. Mounting set M10 x 140 mm, order no. 89988.2

Colours see colour table

#### SPECIFICATION TEXT

Washbasin Laufen-LUA, sanitary ceramic

EN 31

dimensions 600 x 465 mm

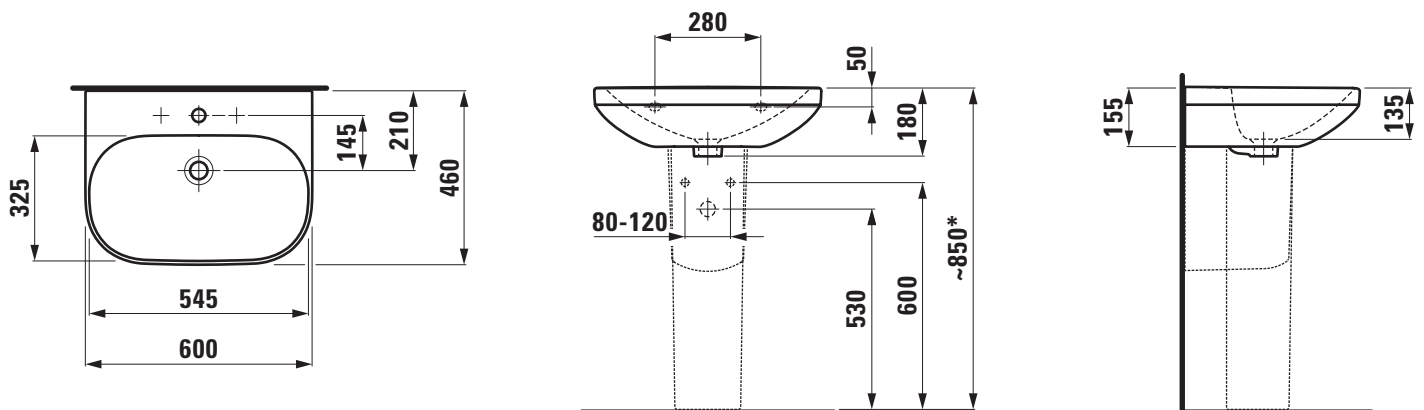
1 centre tap hole

Special feature: overflow channel glazed

Further options / accessories: Surface refinement LCC (only white), without tap holes, 3 tap holes distance 8 inches, without tap hole/overflow and open drain, 1 tap hole/without overflow and open drain, bathtubs, furniture

Order no. 81108.3

#### TECHNICAL DRAWINGS / S 1 : 20



\* = Effective height must be fixed according to the height of the pedestal.