

280 1000 S Single lever basin mixer

with ceramic cartridge, with pop up waste 1 ¼", matt black

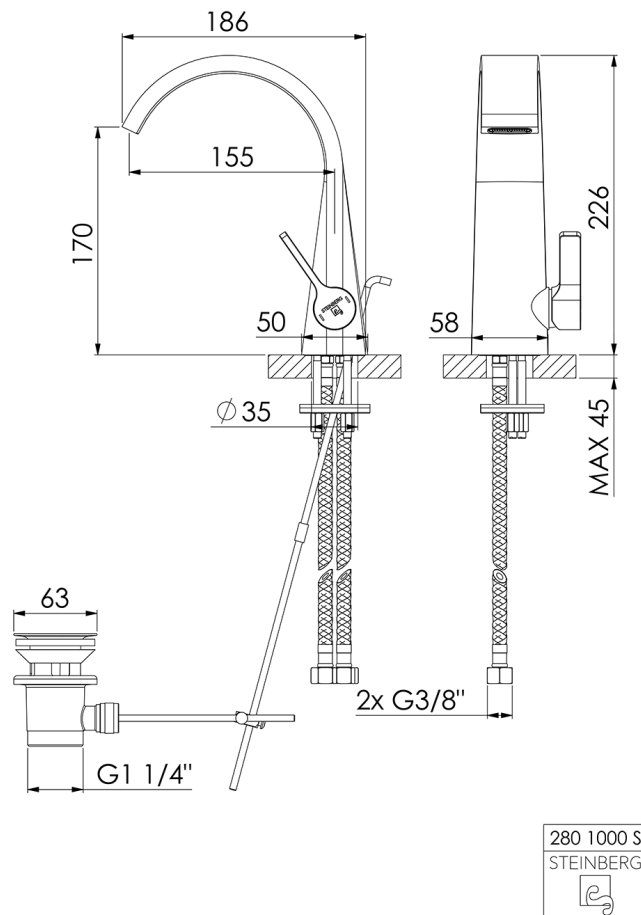
PRODUCT IMAGE



280 1000 S Single lever basin mixer

with ceramic cartridge, with pop up waste 1 1/4", matt black

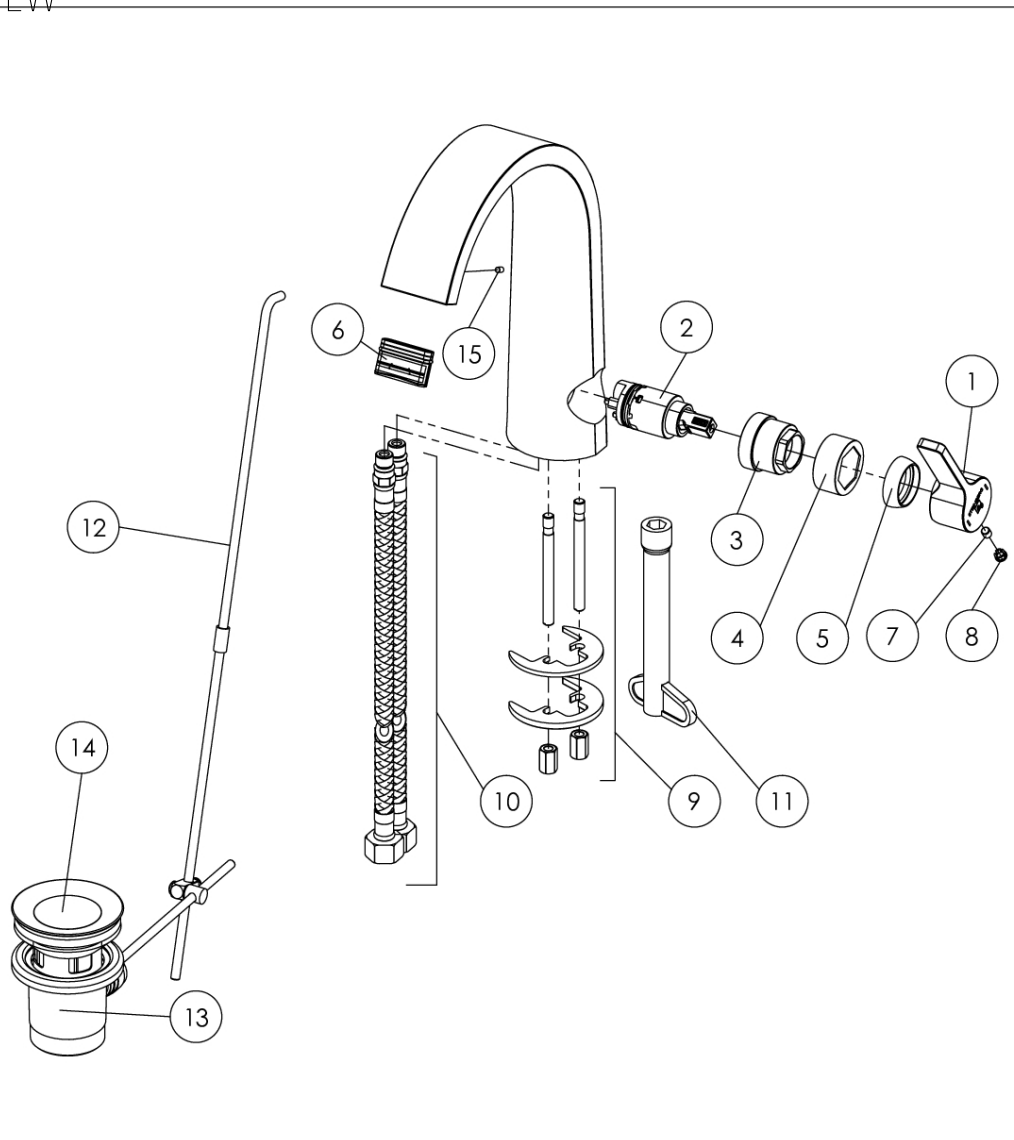
TECHNICAL DRAWING



280 1000 S Single lever basin mixer

with ceramic cartridge, with pop up waste 1 1/4", matt black

EXPLODED VIEW



PartNo	DE	EN	
1	230 9940 M	Armaturenhebel mit Logo, komplett, Chrom	handle with logo, complete, chrome
2	099 9004 2	Keramik-Kartusche "Kerox" 25 mm	ceramic cartridge "Kerox" 25 mm
3	260 8009	Überwurfmutter Kartuschenbefestigung Ø 25mm, kompl.	hexagonnut to fix cartridge Ø 25mm, complete
4	260 8010	Abdeckhülse für Kartusche, Chrom	cover chrome sleeve of cartridge
5	260 8011	Kugelkappe, Chrom	spherical cap, chrome
6	099 9141	Perlator, Strahlregler, rechteckig 32x8mm, 3,8L/Min	aerator square 32x8mm, 1,5qpm
7	099 1105	Madenschraube	grub screw
8	099 4104	Chromkämpchen zum Hebel	chrome cap for single lever
9	099 9801	Befestigungsset 2 Gewindestifte M6	fixing set, 2 x tree rod M6
10	099 9204	Flexschlauch Ü 3/8" x M10, Länge 500mm (Paar)	flexible hose Ü 3/8" x M10, length 500mm (pair)
11	099 9126 1	Bestigungsschlüssel	fixing key
12	099 9853	Zugstangenset mit Kugelstange, Chrom	pop up rod and ball rod, chrome
13	099 9300	Ablaufgarnitur 1 1/4" ohne Kugelstange	pop up waste 1 1/4" without vertical ball-rod
14	099 9310	Ablaufstopfen zu Ablaufgarnitur	waste plug for pop up waste
15	099 1125	Madeschraube M3 für Luftsprudler	grub screw M3 of aerator fixing

280 1000

18.10.2021

STEINBERG

