

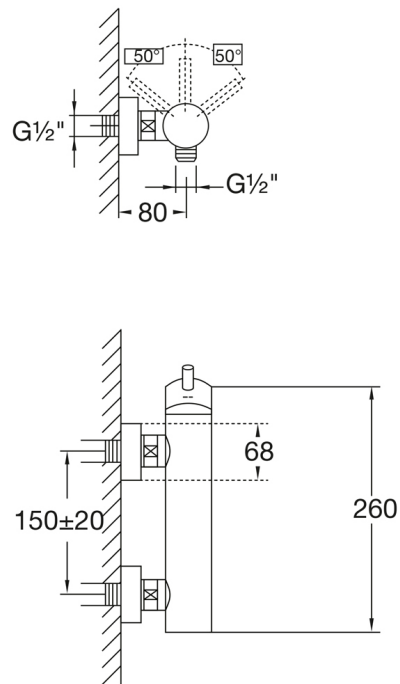
**100 1220 Exposed single lever mixer 1/2" for shower**  
with ceramic cartridge, intrinsically safe against backflow, chrome

PRODUCT IMAGE



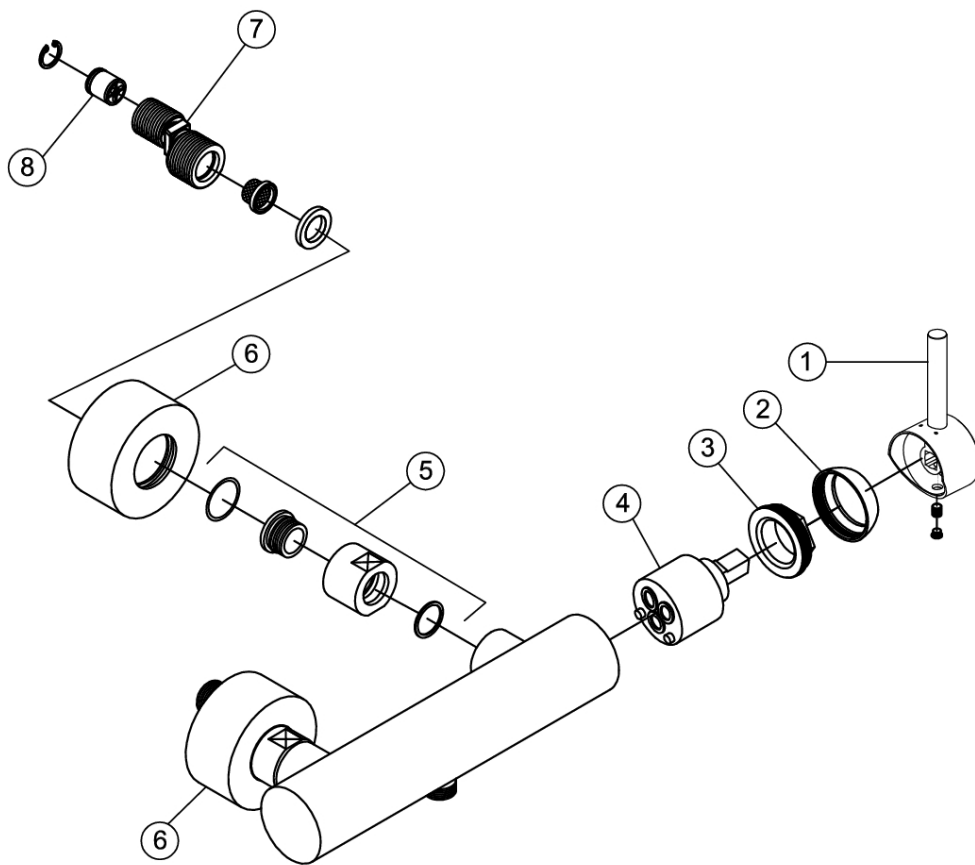
**100 1220 Exposed single lever mixer 1/2" for shower**  
with ceramic cartridge, intrinsically safe against backflow, chrome


TECHNICAL DRAWING



100 1220 Exposed single lever mixer 1/2" for shower  
with ceramic cartridge, intrinsically safe against backflow, chrome

EXPLODED VIEW



|   |            |  |   |
|---|------------|--|---|
| 1 | 099 9913   | Griff komplett   handle complete   | 100 1220  |
| 2 | 099 8013   | Kugelkappe, chrom   spherical cap chrome   |   |
| 3 | 099 8012   | Überwurfmutter Kartuschebefestigung 40 mm   union nut for cartridge fixing set ( 40 mm)        |   |
| 4 | 099 9020 1 | Keramik-Kartusche Ø 40 mm "Kerox"   ceramic cartridge 40 mm "Kerox"                            | 01.08.2016  |
| 5 | 099 1200   | Überwurfmutterkomponenten $\bar{U}$ 3/4" (2-Set)   hexagonnut spare parts components (2x sets) |   |
| 6 | 099 9877   | AP- Rosetten Ø 68mm (Paar)   rosettes for exposed mixers Ø 68 mm ( pair)                       | STEINBERG<br><br><small>Autor Dipl.-Ing. Zuzana Michalkova</small> |
| 7 | 099 9891   | S-Anschluss   S-connection   |   |
| 8 | 099 9160   | Rückflussverhinderer Ø 14 mm   back flow preventer Ø14 mm                                      |   |
|   |            |  |   |
|   |            |  |   |