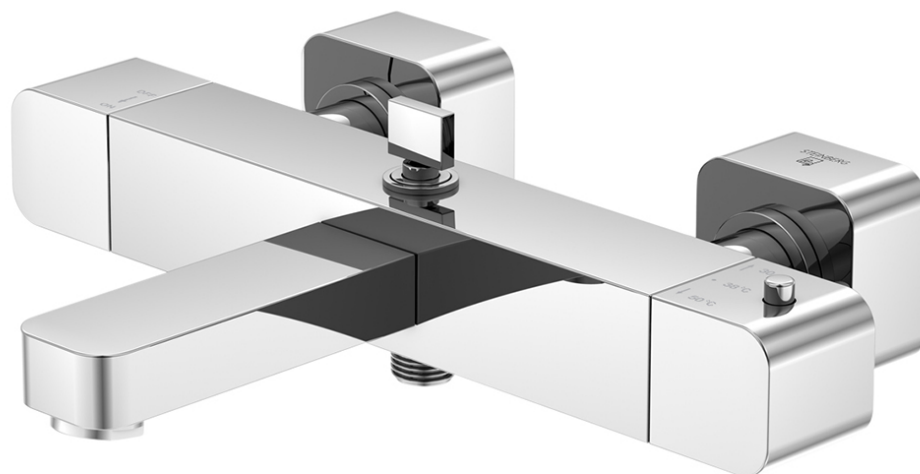


**230 3100 Exposed thermostatic mixer 1/2" for bathtub**

with diverter, projection 195 mm, with temperature control and volume control, intrinsically safe against backflow, chrome

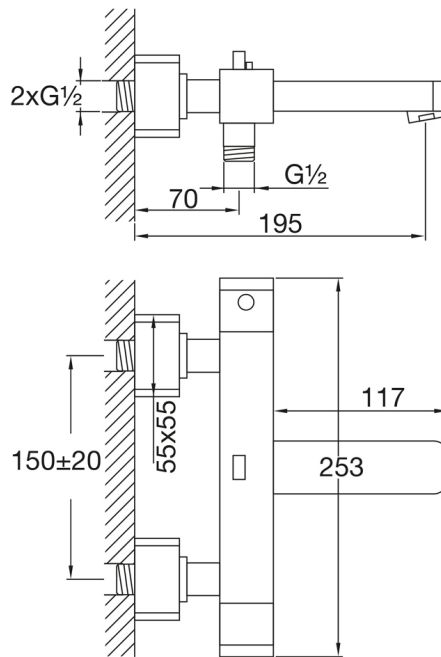
PRODUCT IMAGE



**230 3100 Exposed thermostatic mixer 1/2" for bathtub**

with diverter, projection 195 mm, with temperature control and volume control, intrinsically safe against backflow, chrome

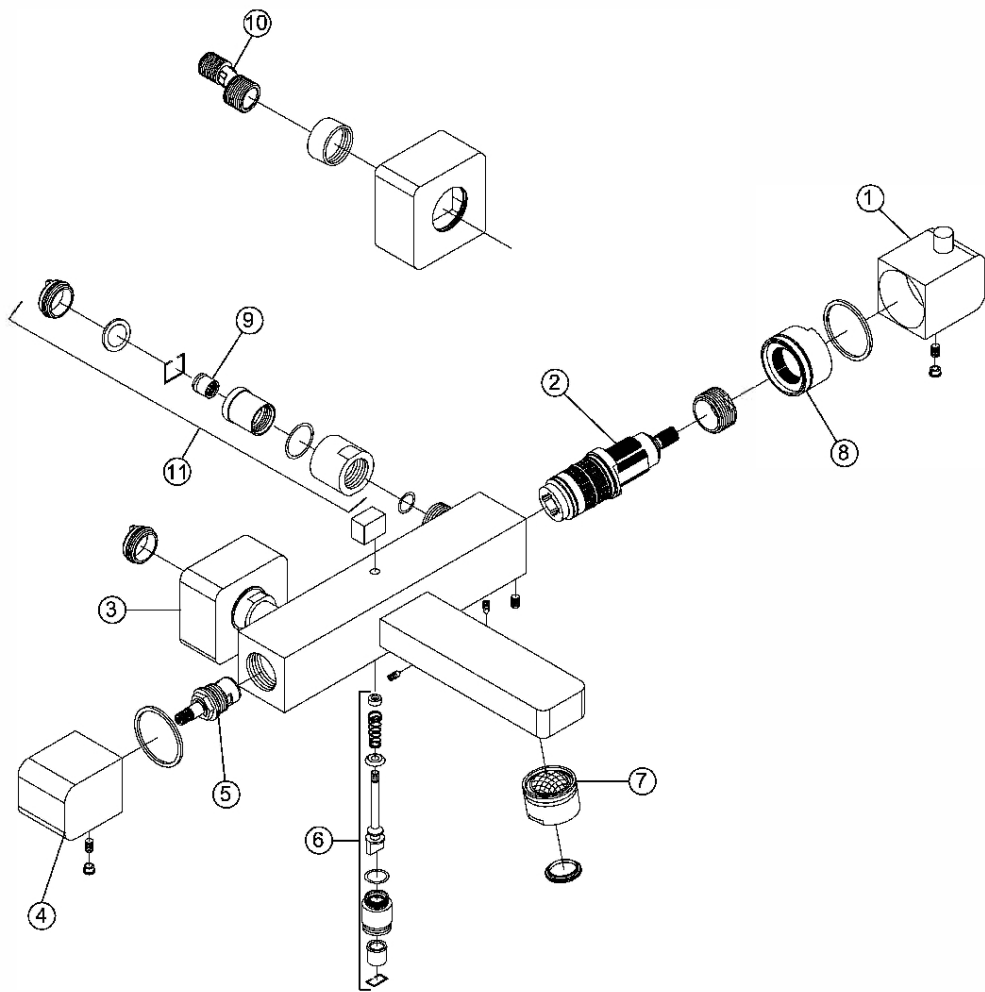
TECHNICAL DRAWING



230 3100 Exposed thermostatic mixer 1/2" for bathtub

with diverter, projection 195 mm, with temperature control and volume control, intrinsically safe against backflow, chrome

EXPLODED VIEW



1	230 4012	Griff (Termostatregulierung)   handle (thermostat control)	<b>230 3100</b>
2	099 9064	THM - Kartusche (Vemet)   thermostatic cartridge (Vemet)	
3	200 9870	AP - Rosette 55x55 mm   rosettes for exposed mixers 55x55 mm (pair)	
4	230 4011	Griff (Mengenregulierung)   handle (volume control)	15.07.2016
5	099 9048	Ventiloberteil linksschließend 90°   ceramic head-part, closing direction anticlockwise 90°	
6	099 9085	Umsteller   diverter	
7	099 9106	Luftsprudler mit verchromter Hülse   Aerator with chrome sleeve	
8	099 2741	Anschlagring zur 38° Einstellung der Thermostatkartusche   stop ring to 38° setting for THM - cartridge	
9	099 9160	Rückflussverhinderer Ø14mm   back flow preventer Ø 14 mm	
10	099 9890	S-Anschluss ohne Rückflussverhinderer (Paar)   s-connection without back flow preventer (pair)	
11	099 3100	Überwurfmutterkomponenten (Paar)   hexagonnut spare parts components (pair)	<small>Autor Dtl. - Ing. Zuzana Michalkova</small>