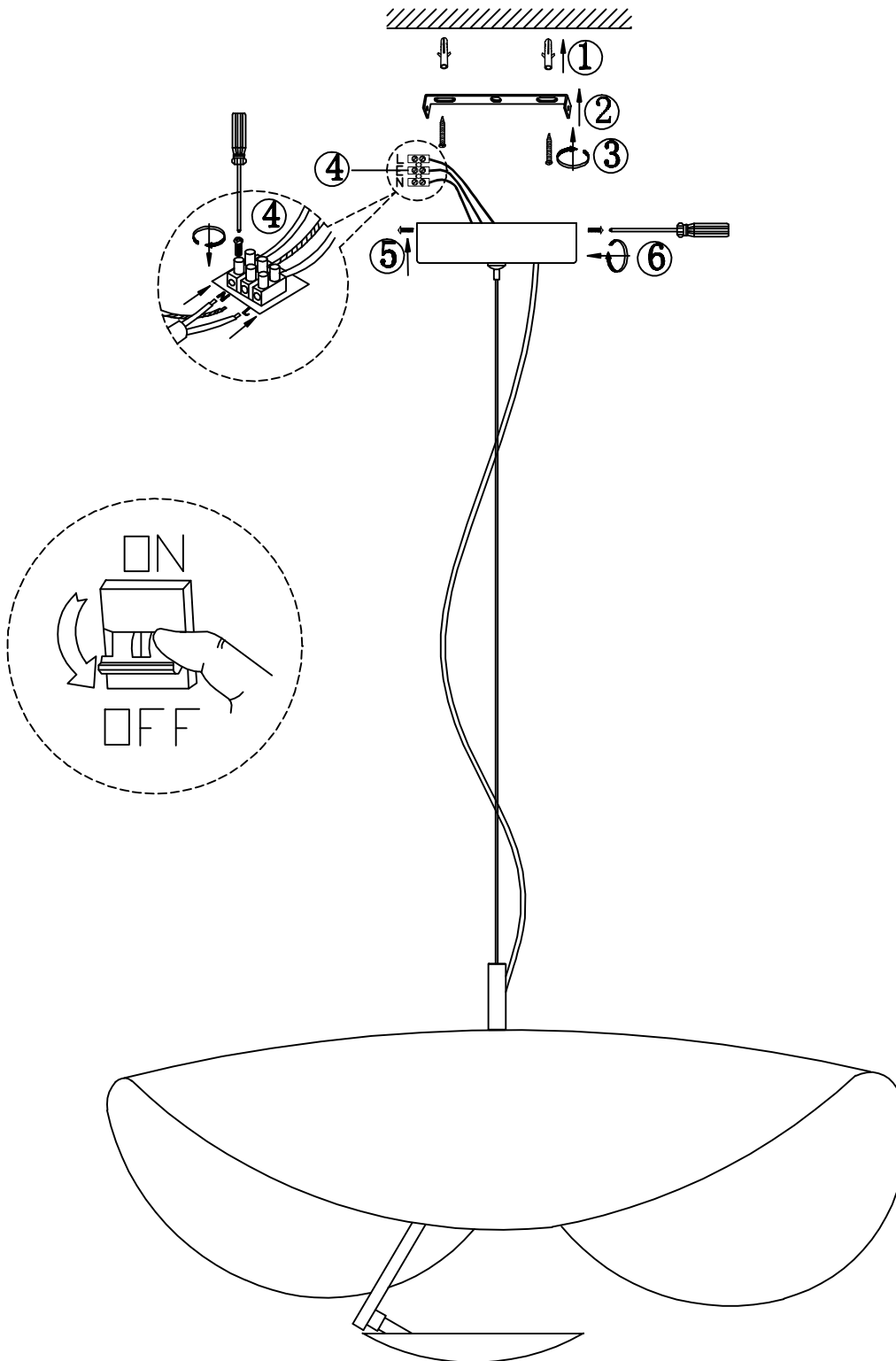


8821P/L600



1. Rated Voltage: AC220~240V
2. Frequency: 50~60Hz
3. light source:LED Max. 12W (960Lm)
4. Material: Metal, Acrylic