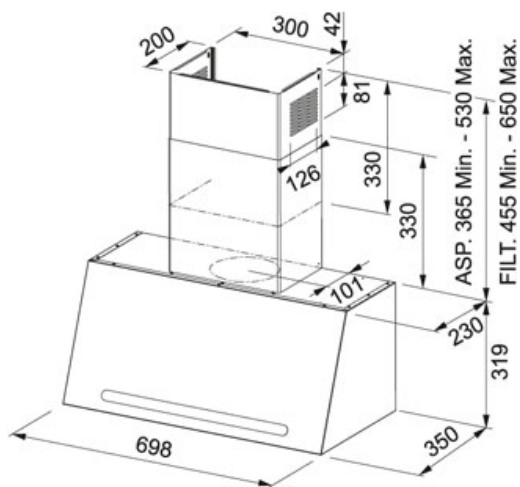


# Ramato | 321.0576.467

FAMILY : Hote | SERIE : Trendline Plus | INSTALLATION TYPE : Perete | MODEL : COUNTRY PLUS CO 70 | FINISH : Ramato



## DATE TEHNICE

Putere (W)	270 W
Capacitate evacuare minima (conform DIN IEC 61591)	290 m3/h
Capacitate evacuare maxima (conform DIN IEC 61591)	560 m3/h
Nivel zgomot minim (conform DIN EN 60704-3 )	51 dB(A)
Nivel zgomot maxim (conform DIN EN 60704-3 )	66 dB(A)
Iluminare	LED 2x1W
Clasa Energetica	B
Diametru tub evacuare	Ø 150 mm
Tensiune	220-240V
Presiune	520,00 Pa

## FUNCTII

3≡	3 viteze		Clasă de eficiență energetică B
----	----------	---	---------------------------------

FAMILY : **Hote** | SERIE : **Trendline Plus** | INSTALLATION TYPE : **Perete** | MODEL : **COUNTRY PLUS CO 70** | FINISH : **Ramato**

---

**ACCESORII**

---



---

112.0016.755

---



---

112.0174.995

---



---

112.0174.994

---

---

**PRODUSE RECOMANDATE**

---



---

112.0016.755

---



---

112.0174.994

---