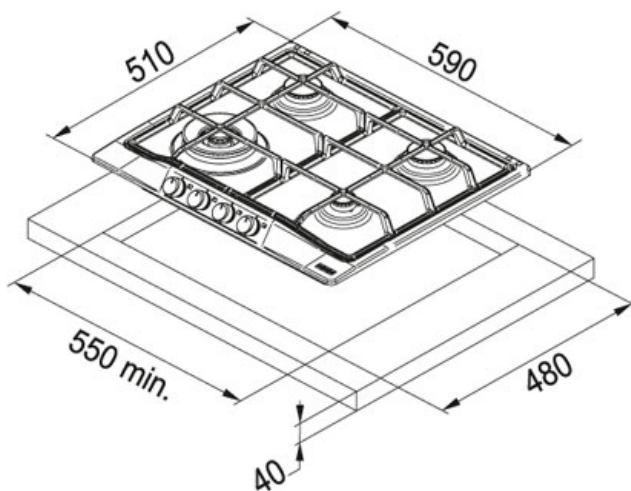


Trend Line 600 FHTL 604 3G TC AL E Alluminio Fraganite |

106.0183.099






FAMILY : **Plite** | SERIE : **Trend Line 600** | MODEL : **FHTL 604 3G TC AL E** | FINISH : **Alluminio Fraganite** | INSTALLATION
TYPE : **Incasso**



DATE TEHNICE

Dimensiuni	590x510
Putere (W)	Auxiliar 1000W Semirapid 1750W Tripla Coroana 3300W
Decupaj	550x480
Latime	510,00 mm
Gratare	Emailate, negru mat
Lungime	590,00 mm
Numar arzatoare	4
Type	INDEPENDENT-GAS-HOB

FUNCTII

	Aprindere electronica integrata in buton		Gratare din fonta
			Dispozitiv de siguranta
	Inox 18/10		Set butoane