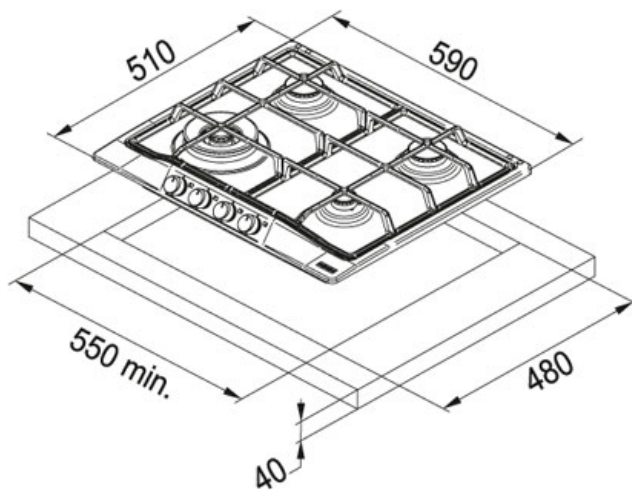


# Trend Line 600 FHTL 604 3G TC WH E Alb | 106.0183.096

INSTALLATION TYPE : **Incasso** | FAMILY : **Plite** | SERIE : **Trend Line 600** | MODEL : **FHTL 604 3G TC WH E** | FINISH : **Alb** |  
 INSTALLATION TYPE : **Alte**



## DATE TEHNICE

Type	INDEPENDENT-GAS-HOB
Putere (W)	Auxiliar 1000W Semirapid 1750W Tripla Coroana 3800W
Tensiune	220-240V
Comanda	Butoane
Gratare	Emailate, negru mat
Lungime	590,00 mm
Latime	510,00 mm
Dimensiuni	590x510
Numar arzatoare	4
Decupaj	550x480

## FUNCTII

	Aprindere electronica integrata in buton		Gratare din fonta
	Dispozitiv de siguranta		Set butoane
			Inox 18/10