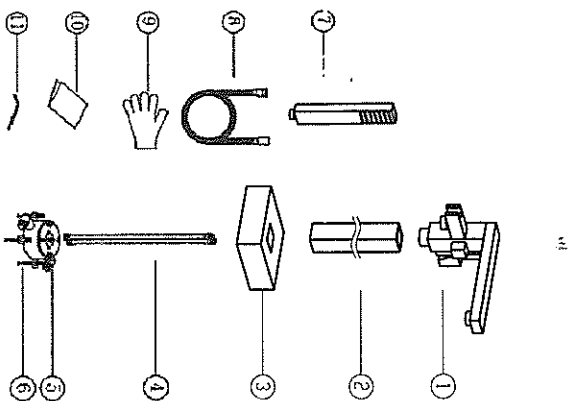
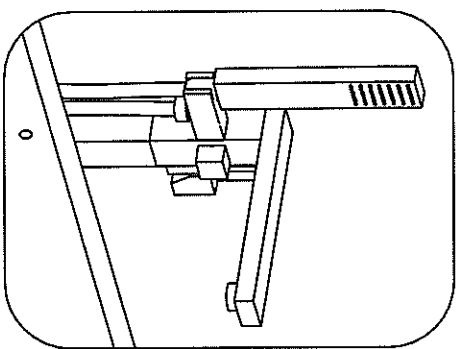


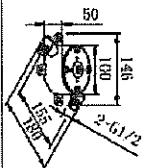
Floor bathtub mixer instruction

Please inspection all spare parts list when you open box, if any problem, please contact with seller. Spare parts list as follow.

NO	Product Description	QTY
1	Control body	1
2	Body Pipe	1
3	Panel	1
4	Water pipe	2
5	N-box	1
6	Expansion Screw	4
7	Hand shower	1
8	shower hose	1
9	Glove	1
10	Instruction	1
11	Screw tool	1



NOTICE:



1. N-box in-wall depth: $D \leq 46\text{mm}$,
N-box more than 2mm of tiles.



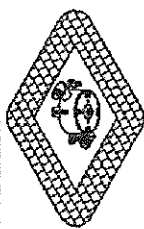
4. Clean up.



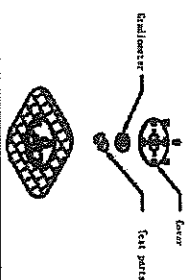
3. Jointing hot and cold water joint. Prevent no leakage.



2. Adjust level by gradimeter.
Fix by M6 expansion Screw.

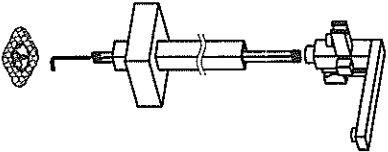


5. Take spare parts, cover, test parts and gradimeter.

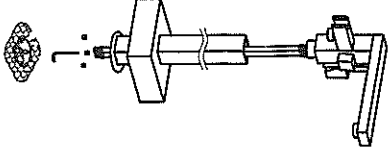


8. Connect control body.

7. Fix panel by M4 screw.

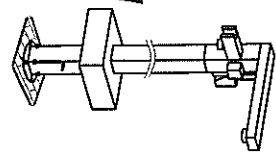
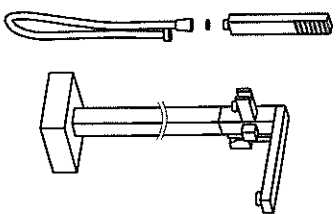


6. Connect body by H8 screw tool.



9. Fix pipe in N-box, adjust position, fix panel by M5 screw.

10. Fix shower hose and hand shower.



11. Screw tool