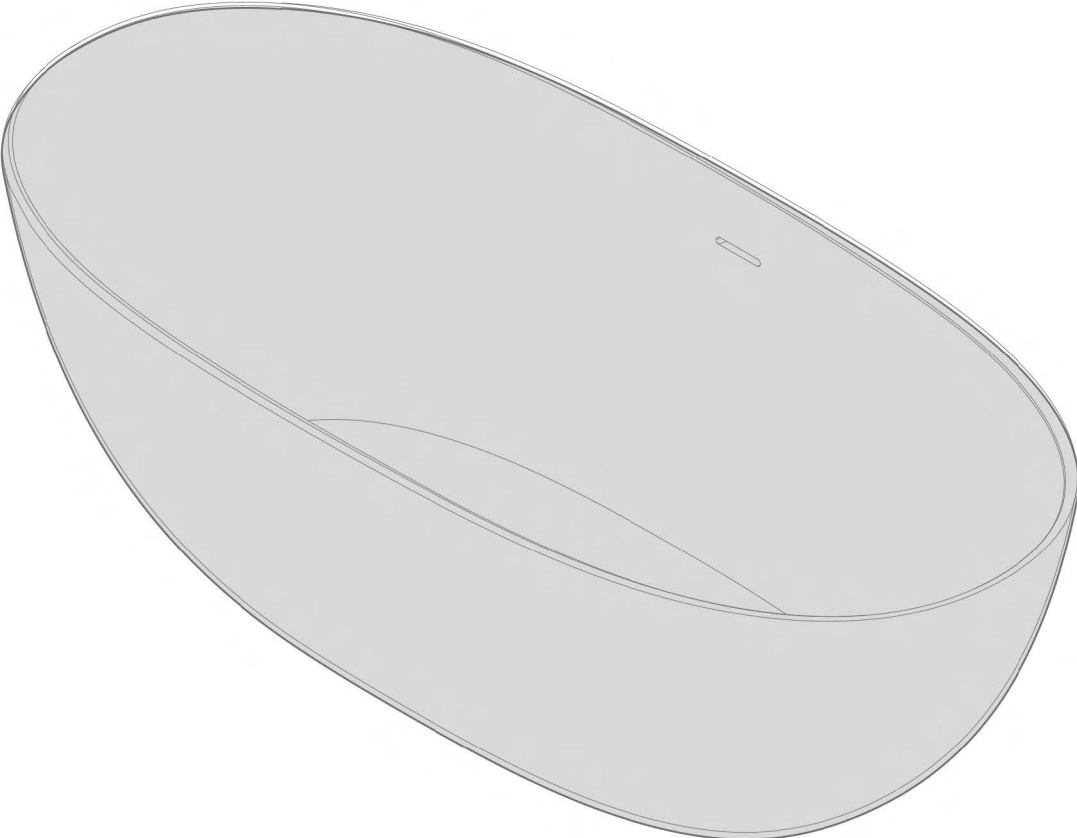
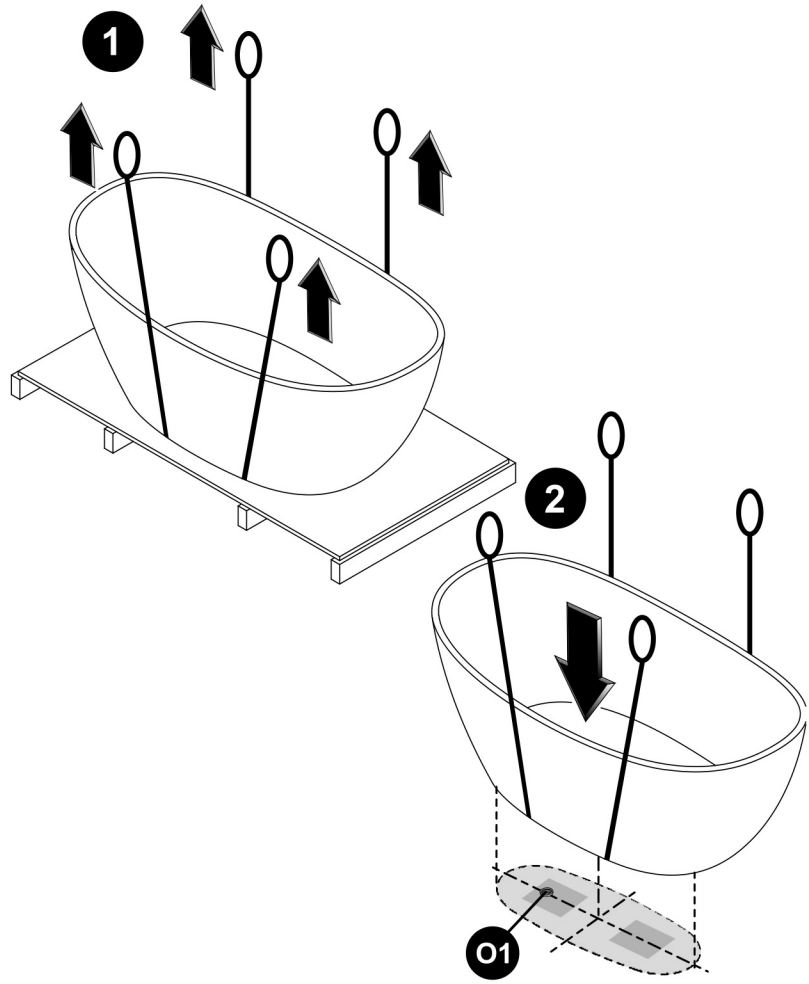
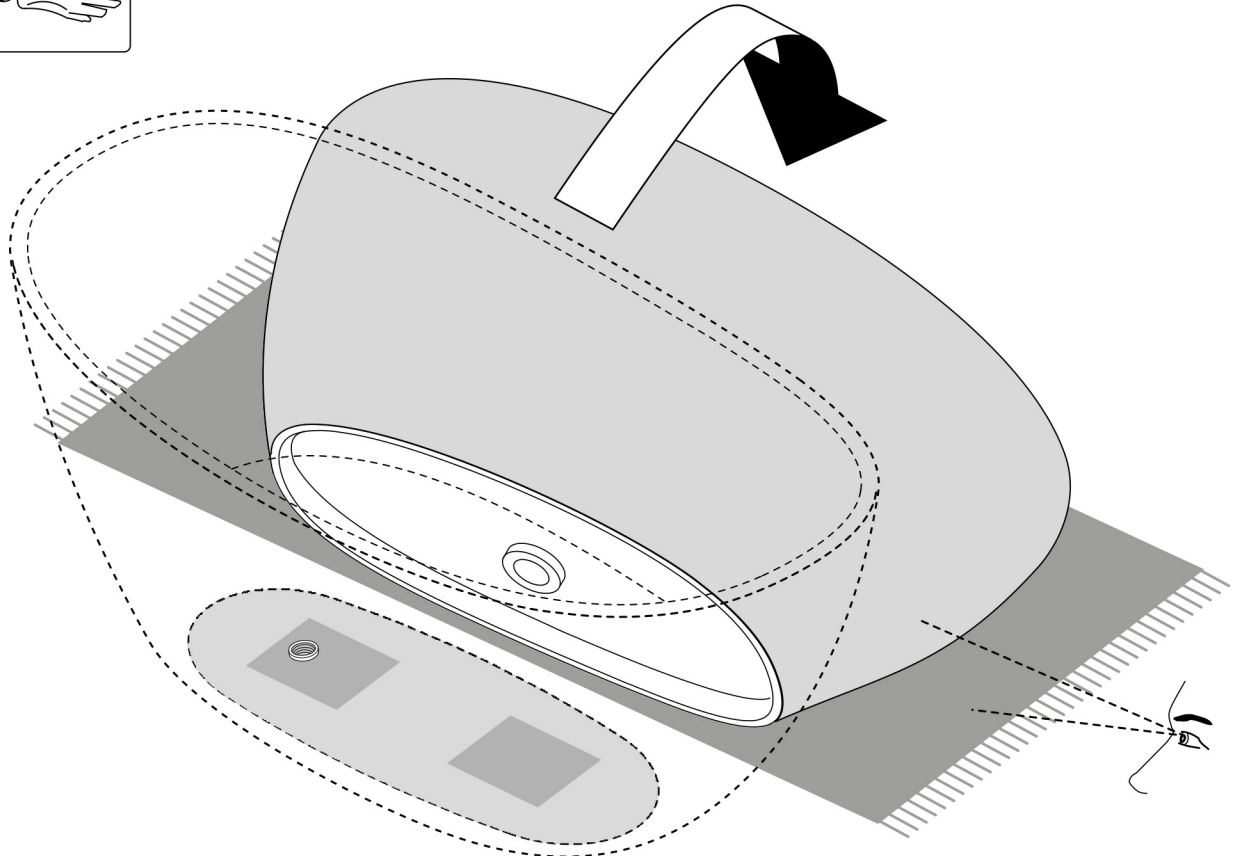


Solid Surface Bathtub Installation Manual

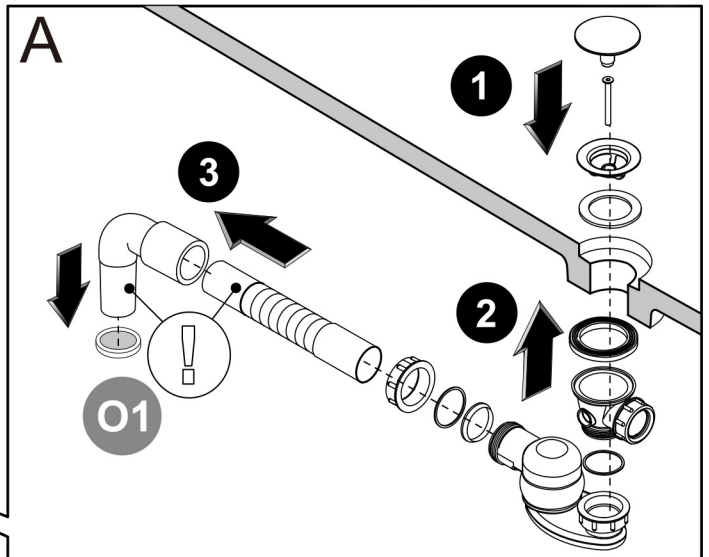
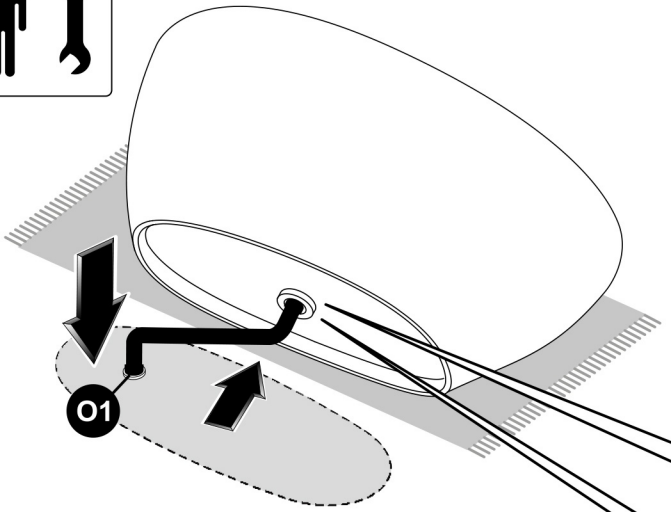




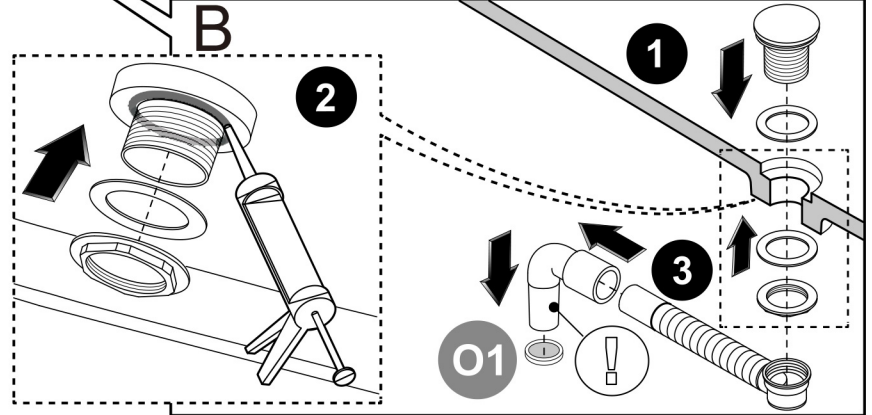
Move the bathtub to the planned install position
Remark: Pls be careful during packing box open



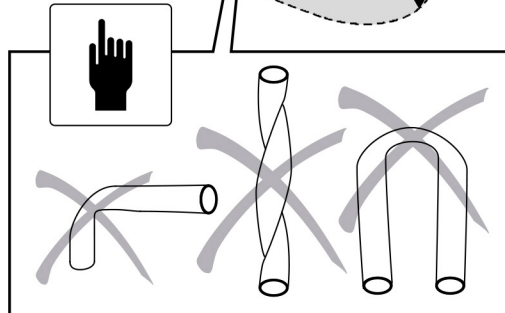
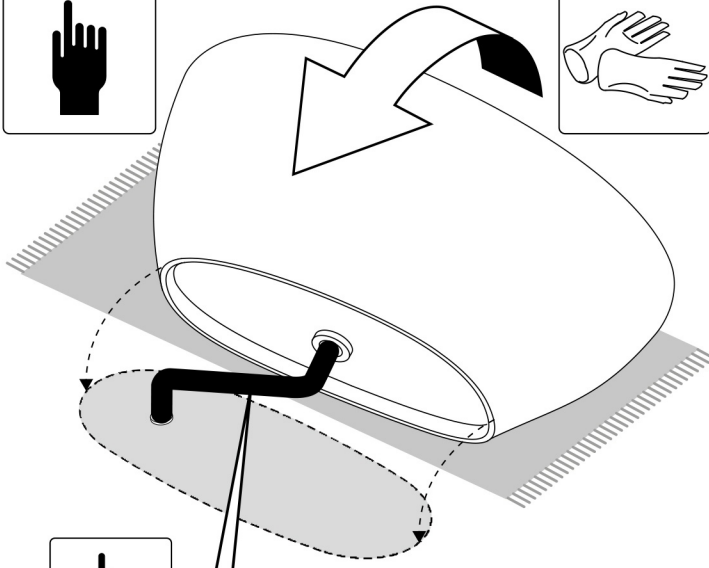
2. Put a soft pad on floor before slid down the bathtub to avoid scratch



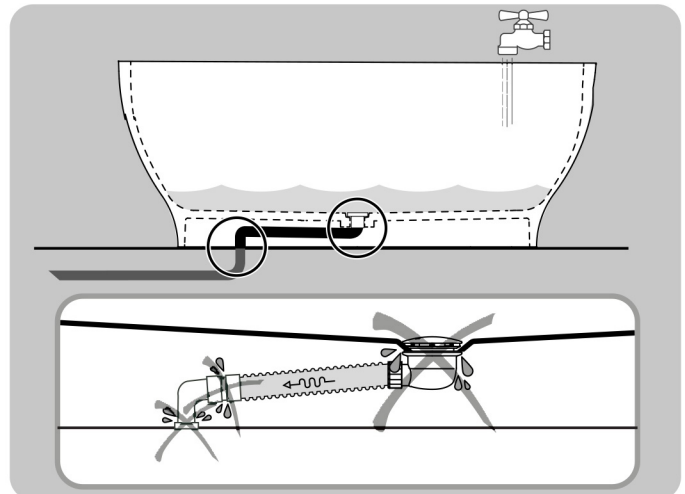
OPPURE/OR



- 3. Drainer & Outlet hose already pre-installed, double check no damage before installed
- 4. Insert the outlet hose into the floor drain properly



Attention: After installed, please test by few water to make sure no leaking on each connection



5. Right the bathtub and installation finished