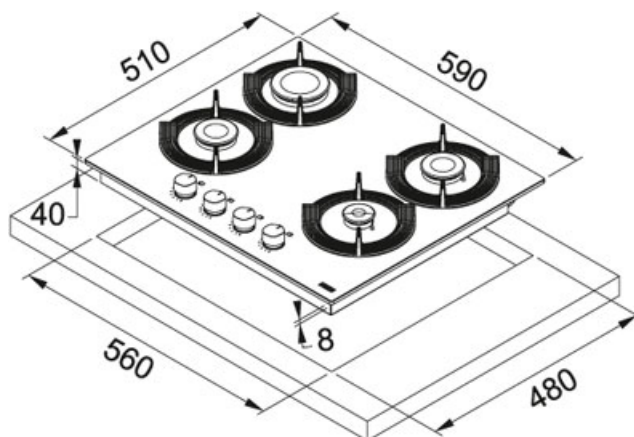


## Sticla albă | 106.0541.749




FAMILY : Plite | SERIE : Maris Free by Dror | FINISH : Sticla albă | MODEL : FHMF 604 4G C WH | INSTALLATION TYPE : Incorporabil



### DATE TEHNICE

Lungime	590,00 mm
Latime	510,00 mm
Comanda	Electromecanică
Type	INDEPENDENT-GAS-HOB
Tensiune	220-240V
Numar arzatoare	4
Gratare	Fonta
Adancime	57,00 mm
Tip butoane	Maris Dror
Putere (W)	1x Rapid Ø 100mm 2500W - 2x Semi Rapid Ø 75mm 1750W - 1x Auxiliary Ø 55mm 1000W
Dispozitiv de siguranta	Da
Adancime decupaj	40,00 mm

### FUNCTII

	Aprindere electronica integrata in buton		Gratare din fonta
			Dispozitiv de siguranta

Sticla albă | 106.0541.749

FAMILY : **Plite** | SERIE : **Maris Free by Dror** | FINISH : **Sticla albă** | MODEL : **FHMF 604 4G C WH** | INSTALLATION TYPE : **Incorporabil**

---

**PRODUSE RECOMANDATE**

---



---

112.0530.322

---



---

112.0530.324

---