

MyCube
Single lever shower mixer for concealed installation
 Surfaces: **Chrome** Article Number: **71265000**



Description

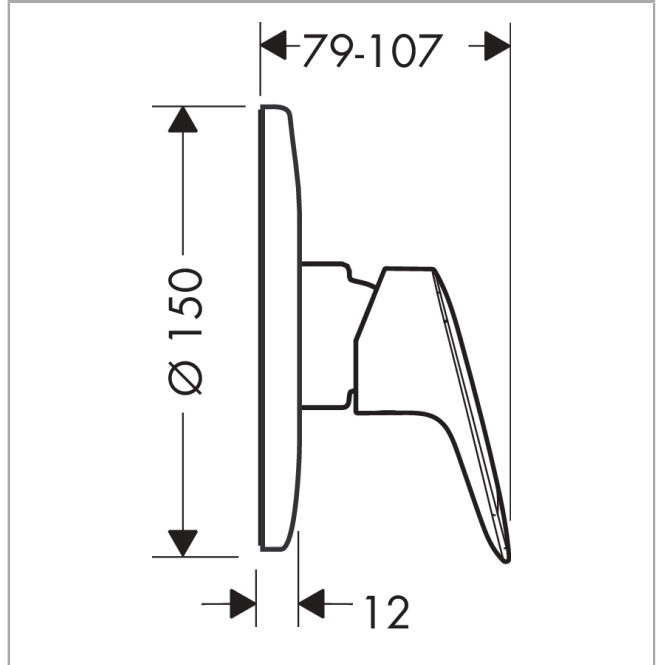
product features

- connection type: basic set
- flow rate at 3 bar: 17 l/min
- ceramic cartridge
- temperature limitation adjustable
- suitable for continuous flow water heaters
- ACS 20 ACC NY 038, valide jusqu'au 13.02.2025

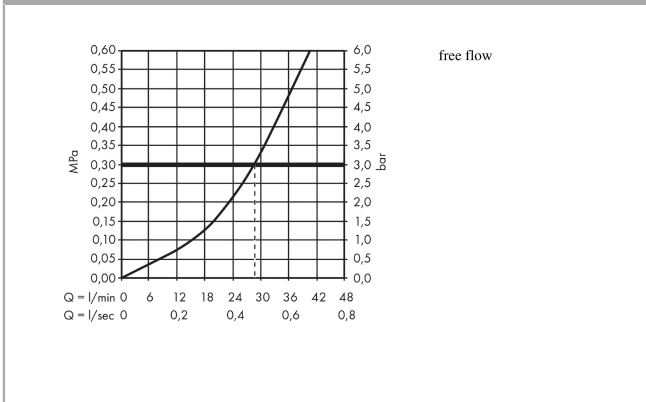
Product image



Scale drawing



Flowchart

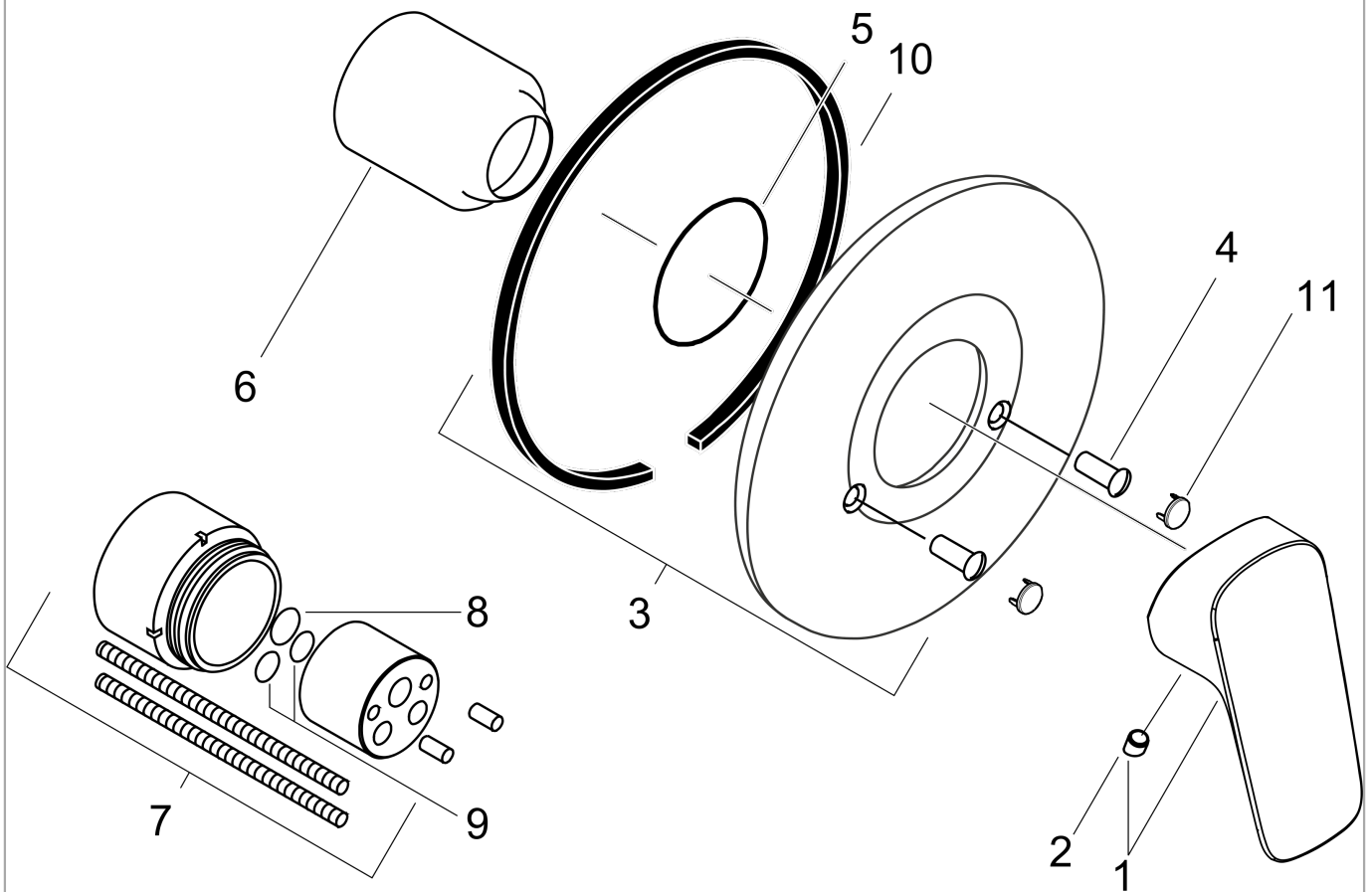


MyCube
Single lever shower mixer for concealed installation
 Surfaces: **Chrome** Article Number: **71265000**



Exploded Drawing

Year of production: >11/14



MyCube**Single lever shower mixer for concealed installation**Surfaces: **Chrome** Article Number: **71265000****Spare part list**

Year of production: >11/14

Pos.	Description	Article Number	PC	PU
1	handle	92224000	10	1
2	screw cover	96338000	1	1
3	escutcheon Ø 150 mm	96555000	11	1
4	hollow screw	96065000	2	1
5	O-Ring 48x3	95508000	1	1
6	flange	96348000	4	1
7	extension set 28 mm shower mixer	32698000	15	1
8	O-ring 10x1,5	98123000	1	1
9	O-ring 12x1,5	98430000	1	1
10	seal	97737000	3	1
11	cover cap	95433000	2	1
a	base body	13620180	98	1