

## Technische Daten/ Technical Data

### KLUDI BALANCE

electronic controlled basin mixer  
DN 15

Ref.:  
5220005

Finishes:  
05 chrome

### Product description

Manufacturer KLUDI GmbH & Co. KG

Typ: KLUDI BALANCE

electronic controlled basin mixer

Ref.: 5220005

basin mixer

electronic controlled

electric power supply via 230 V main adapter

1-hole mounted

mixing shaft with temperature handle

optical object registration

aerator M24 PCA

protected against back flow

flow rate at 3 bar 5 l/min.

flexible hoses G $\frac{3}{8}$  DVGW approved

with integrated back flow preventer

rapid installation set

activation optoelectronic

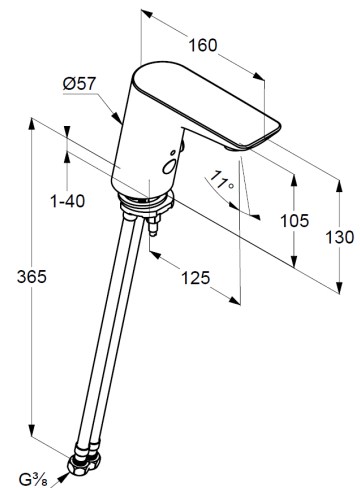
maximum water run-time 2 minutes

safety class IP65

### Produktabbildung/ Product picture



### Maßzeichnung/ Dimensional drawing



### Durchfluss/ Flow rate

