

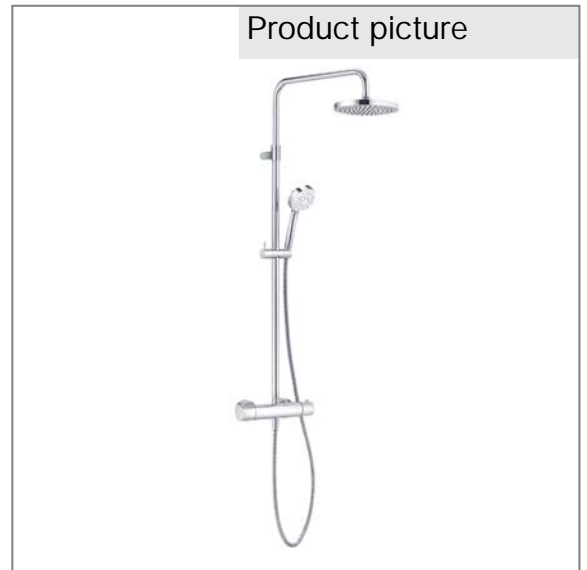
Product: **KLUDI LOGO THM Dual Shower System DN 15**

Ref.: **6809505-00**

Product description

thermostat Dual Shower System DN 15
 wall fastening,
 temperature control handle with hot water safety device 38°C
 with ceramic shut-off valve as rotary valve 90°/90°
 shower outlet G 1/2 (below)
 handshower rotate the handle to the rear
 shower outlet G 3/4 (up)
 headshower rotate the handle forward
 dirt-catcher sieve
 protected against back flow
 with KLUDI headshower G 1/2 x Ø 200 mm
 with KLUDI LOGO 1S handshower G 1/2
 Kludi Logoflex-hose 1/2 x 1/2 x 160 mm

Finishes:
 05 chrome

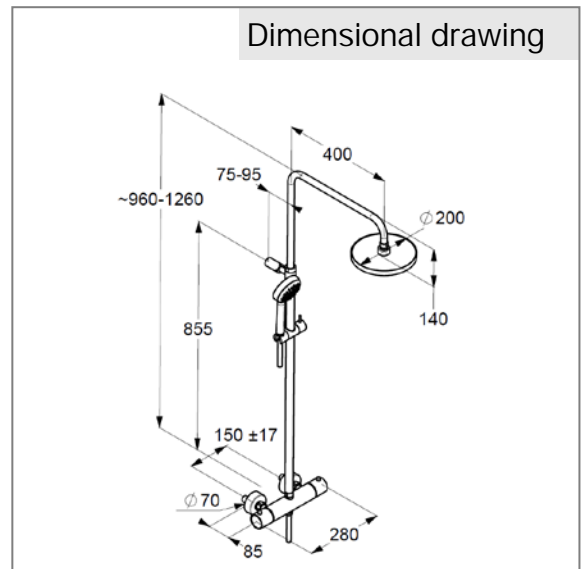


Product picture

Advertisement

thermostat shower mixer, manufacturer KLUDI GmbH & Co KG KLUDI LOGO THM Dual Shower System, item no. 6809505-00, DN 15, chrome plated brass, ceramic shut-off valve as a rotary valve 90°/90°, solid handle, temperature control handle with hot water safety device 38 °C, type: thermostat shower mixer DN 15, shower outlet 1/2 inch, protected against back flow DIN EN 1717, S unions 1/2 x 3/4 inch, dirt-catcher sieve, projection 75/95mm, handshower, manufacturer KLUDI GmbH & Co. KG, KLUDI LOGO handshower 1 S item no. 6810005-00, DN 15, chrome plated plastic, with cleaning system, hand shower with flow 21l/ min. at 3 bar l/min, length 225 mm, connection outside screw 1/2", showerhead height 20 mm, diameter showerhead Ø 96 mm, shower outlet top: flow rate 16 l/min at 3 bar, with swivel headshower 1/2 Ø 200 mm, with shower pipe with fixing kit projection 400 mm, with KLUDI Logoflexhose 1/2 x 1/2 x 1600 mm, with slider horizontally and vertically adjustable, for pressure type water heater, for continuous line heater, PN 10,

Dimensional drawing



Flow rate diagram

